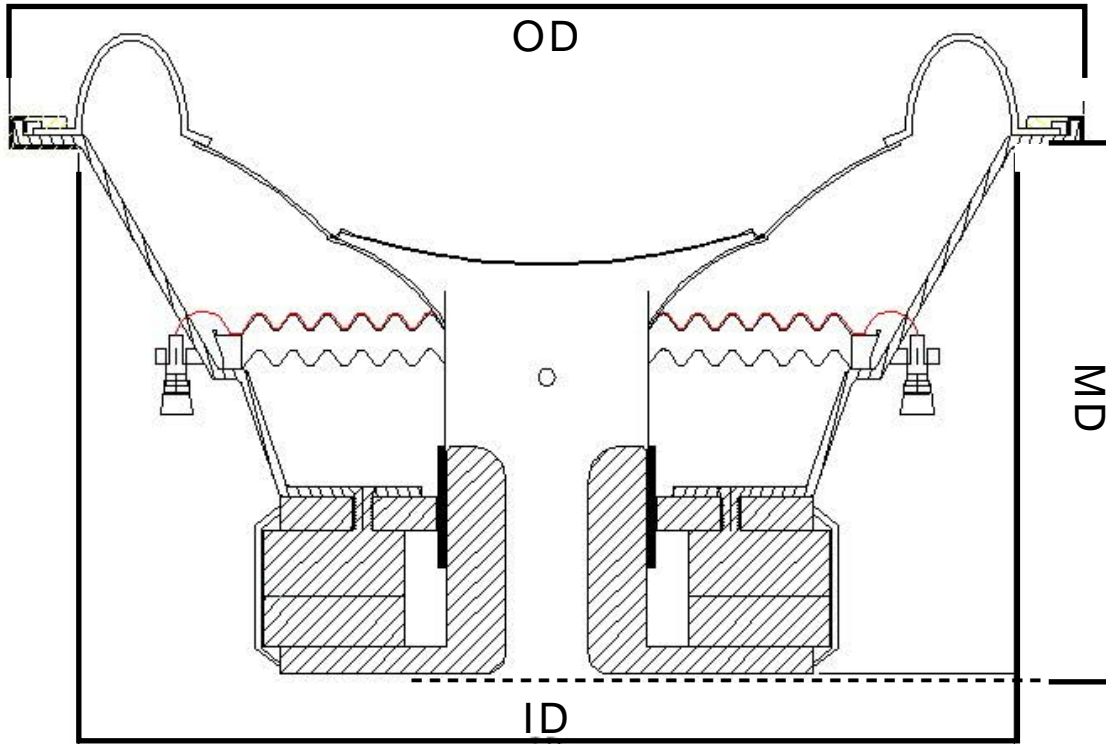


ADDICTIVE AUDIO

VERSION 1 SUBWOOFERS



aa10v1

OD = 10.275"

ID = 8.937"

MD = 5.2"

Displacement:
0.098 cu.ft.

aa12v1

OD = 12.519"

ID = 11.181"

MD = 5.9"

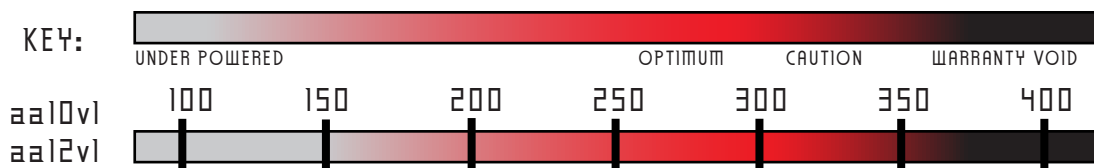
Displacement:
0.146 cu.ft.

SPECS

aa10v1 (parallel)	
-Mechanical Parameters-	
Fs	33.28 Hz
Qms	3.843
Vas	27.67 liters
Cms	0.162 mm/N
Mms	126.18 g
Xmax (one way linear)	13.0 mm
P-Dia	210 mm
Sd	346 sq. cm
-Electrical Parameters-	
Qes	0.531
Re	1.6 ohms
Le	1.074 mH
Z	2.0 ohms
BL	8.876 Tm
-Electromech. Parameters-	
Qts	0.466
no	0.219 %
1-W SPL	86.4 dB
2.83-V SPL	93.85 dB
Efficiency Bandwidth Product = 46Hz	

aa12v1 (parallel)	
-Mechanical Parameters-	
Fs	33.22 Hz
Qms	4.173
Vas	50.218 liters
Cms	0.136 mm/N
Mms	150.63 g
Xmax (one way linear)	13.0 mm
P-Dia	255 mm
Sd	511 sq. cm
-Electrical Parameters-	
Qes	0.674
Re	1.6 ohms
Le	1.17 mH
Z	2.0 ohms
BL	9.168 Tm
-Electromech. Parameters-	
Qts	0.581
no	0.314 %
1-W SPL	89.10 dB
2.83-V SPL	95.54 dB
Efficiency Bandwidth Product = 43Hz	

RECOMMENDED SEALED ENCLOSURE ♦ RMS ♦ POWER RANGES FOR SINGLE SUBWOOFER

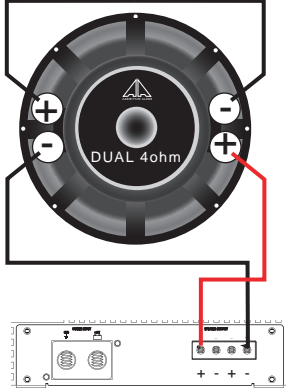


(APPROXIMATELY 20% LESS POWER HANDLING IN PORTED ENCLOSURES)

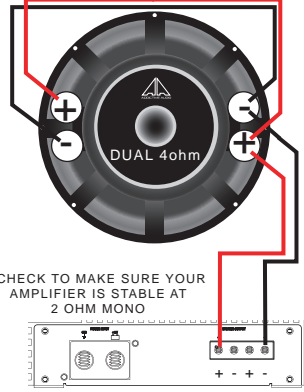
WIRING DIAGRAM

DUAL 4ohm WOOFERS

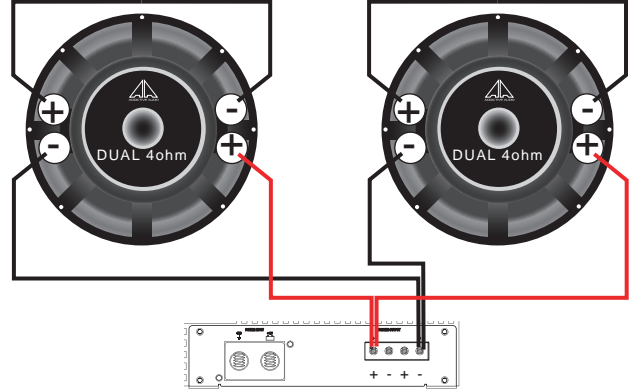
SINGLE WOOFER AT 8 OHM MONO



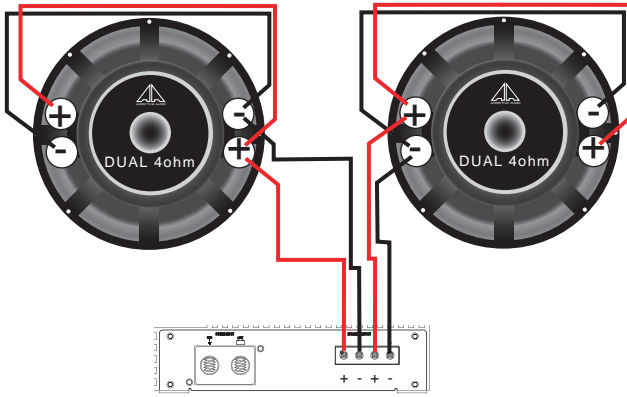
SINGLE WOOFER AT 2 OHM MONO*



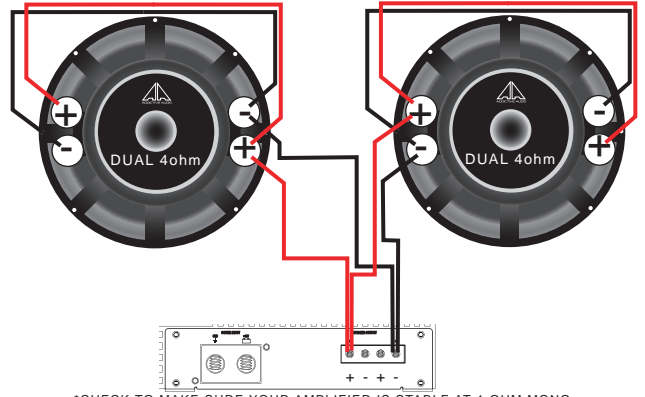
TWO WOOFERS AT 4 OHM MONO



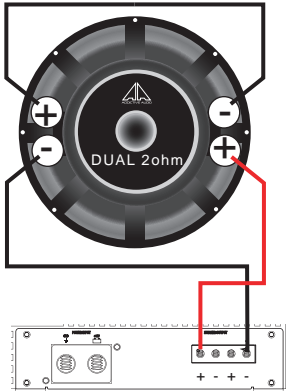
TWO WOOFERS AT 2 OHM STEREO



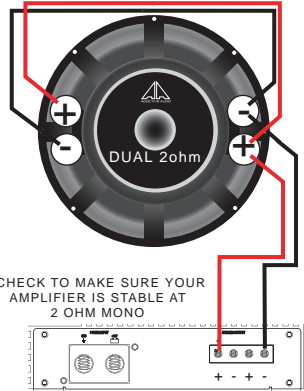
TWO WOOFERS AT 1 OHM MONO*



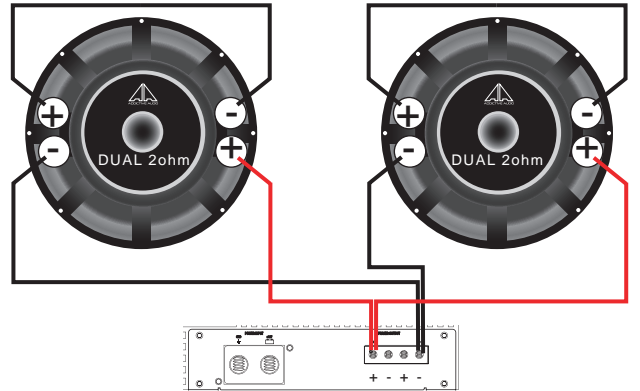
SINGLE WOOFER AT 4 OHM MONO



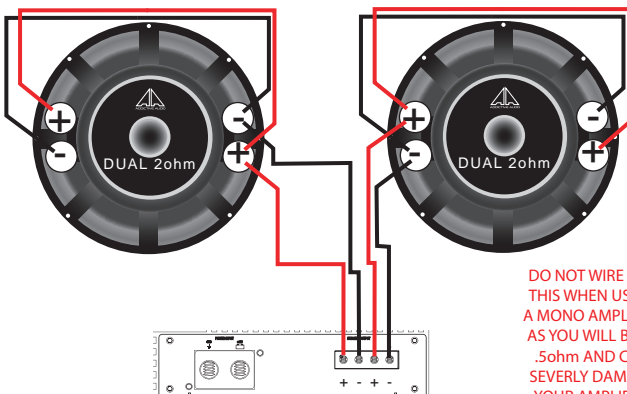
SINGLE WOOFER AT 1 OHM MONO*



TWO WOOFERS AT 2 OHM MONO



TWO WOOFERS AT 1 OHM STEREO



TO STRAP TWO AMPLIFIERS TO ONE WOOFER, PLEASE SEE AMPLIFIER OWNERS MANUAL.

IF INSTALLING AN ADDICTIVE AUDIO AMPLIFIER USE WIRING DIAGRAM IN AMPLIFIER MANUAL

DUAL 2ohm WOOFERS

TUNING TABLE

STREET BASS: LOUD & LOW

TUNING FREQUENCY: 36Hz

COMPETITION: LOUD & SPL

SUBSONIC: 32Hz

TUNING FREQUENCY: 31Hz
SUBSONIC: 28Hz

TUNING FREQUENCY: 33Hz
SUBSONIC: 30Hz

TUNING FREQUENCY: 38Hz
SUBSONIC: 34Hz

TUNING FREQUENCY: 42Hz
SUBSONIC: 38Hz

E

D

C

B

A

CHOPPED & SCREWED \ BASS

RAP / HIP-HOP / R&B

POP \ COUNTRY \ REGGAE \ ALL TYPES

METAL WITH LOW BASS

ROCK \ JAZZ \ QUICK BEATS

SHIRT SHAKING

WINDOW / BODY PANEL FLEXING

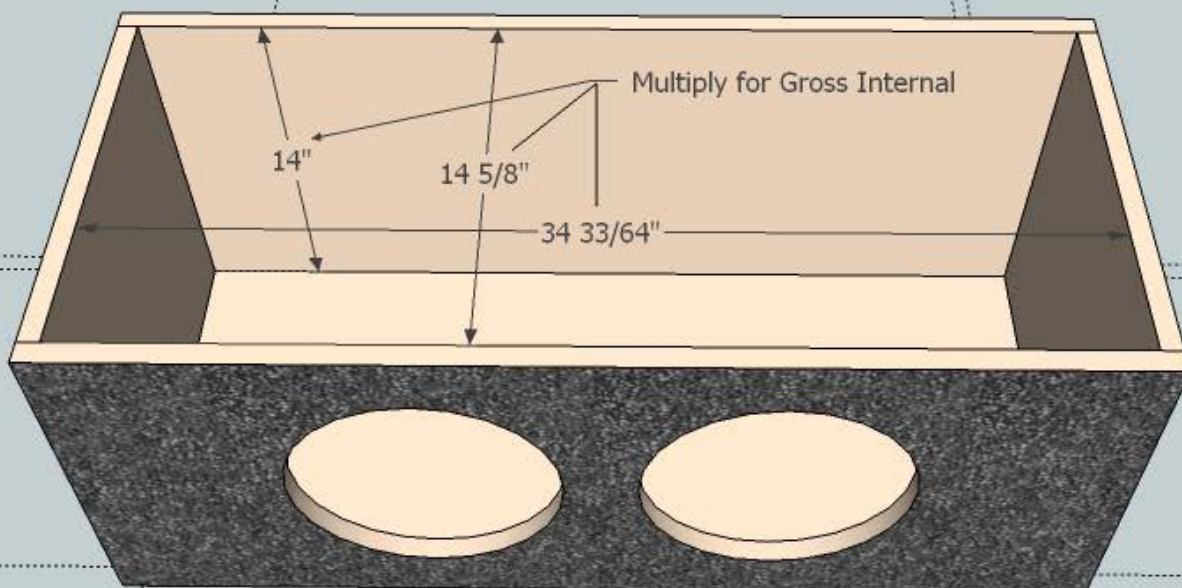
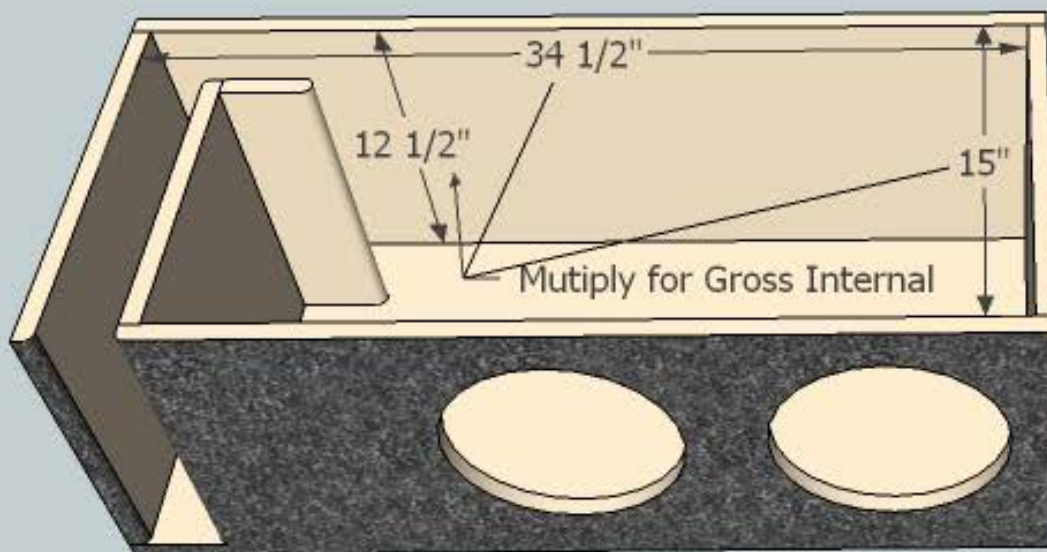
HAIR TRICKS

EAR DRILLING

VIBRATING

INCREASED SPL

ENCLOSURE TYPES: SLOT PORT & SEALED



10VI ENCLOSURES

1 WOOFER ENCLOSURES

SEALED MINIMUM: .70cu.ft. Internal

SEALED MAXIMUM: 1.75cu.ft. Internal

PORTED DESIGNS (*GROSS INTERNAL CU.FT.*):

A: 1.034cu.ft. Internal - PORT: 9sq.in / 13"L

B: 1.117cu.ft. Internal - PORT: 9sq.in / 14.5"L

C: 1.266cu.ft. Internal - PORT: 9sq.in / 14.75"L

D: 1.409cu.ft. Internal - PORT: 9sq.in / 16"L

E: 1.587cu.ft. Internal - PORT: 9sq.in / 16"L

2 WOOFER ENCLOSURES (*COMMON CHAMBER*)

SEALED MINIMUM: 1.4cu.ft. Internal

SEALED MAXIMUM: 3.5cu.ft. Internal

PORTED DESIGNS (*GROSS INTERNAL CU.FT.*):

A: 2.465cu.ft. Internal - PORT: 25sq.in / 14"L

B: 2.622cu.ft. Internal - PORT: 25sq.in / 16"L

C: 2.832cu.ft. Internal - PORT: 25sq.in / 17"L

D: 3.147cu.ft. Internal - PORT: 25sq.in / 18"L

E: 3.514cu.ft. Internal - PORT: 25sq.in / 18.5"L

12VI ENCLOSURES

1 WOOFER ENCLOSURES

SEALED MINIMUM: .75cu.ft. Internal

SEALED MAXIMUM: 1.75cu.ft. Internal

PORTED DESIGNS (*GROSS INTERNAL CU.FT.*):

A: 2.041cu.ft. Internal - PORT: 25sq.in / 18"L

B: 2.332cu.ft. Internal - PORT: 25sq.in / 20"L

C: 2.595cu.ft. Internal - PORT: 25sq.in / 20"L

D: 2.915cu.ft. Internal - PORT: 25sq.in / 20"L

E: 3.265cu.ft. Internal - PORT: 25sq.in / 20"L

2 WOOFER ENCLOSURES (*COMMON CHAMBER*)

SEALED MINIMUM: 1.5cu.ft. Internal

SEALED MAXIMUM: 3.5cu.ft. Internal

PORTED DESIGNS (*GROSS INTERNAL CU.FT.*):

A: 3.557cu.ft. Internal - PORT: 36sq.in / 13"L

B: 3.906cu.ft. Internal - PORT: 36sq.in / 13.75"L

C: 4.344cu.ft. Internal - PORT: 36sq.in / 14"L

D: 4.723cu.ft. Internal - PORT: 36sq.in / 16"L

E: 5.189cu.ft. Internal - PORT: 36sq.in / 16"L

ENCLOSURES

1 WOOFER ENCLOSURES

SEALED MINIMUM: cu.ft. Internal

SEALED MAXIMUM: cu.ft. Internal

PORTED DESIGNS (*GROSS INTERNAL CU.FT.*):

A: cu.ft. Internal - PORT:

B: cu.ft. Internal - PORT:

C: cu.ft. Internal - PORT:

D: cu.ft. Internal - PORT:

E: cu.ft. Internal - PORT:

2 WOOFER ENCLOSURES (*COMMON CHAMBER*)

SEALED MINIMUM: cu.ft. Internal

SEALED MAXIMUM: cu.ft. Internal

PORTED DESIGNS (*GROSS INTERNAL CU.FT.*):

A: cu.ft. Internal - PORT:

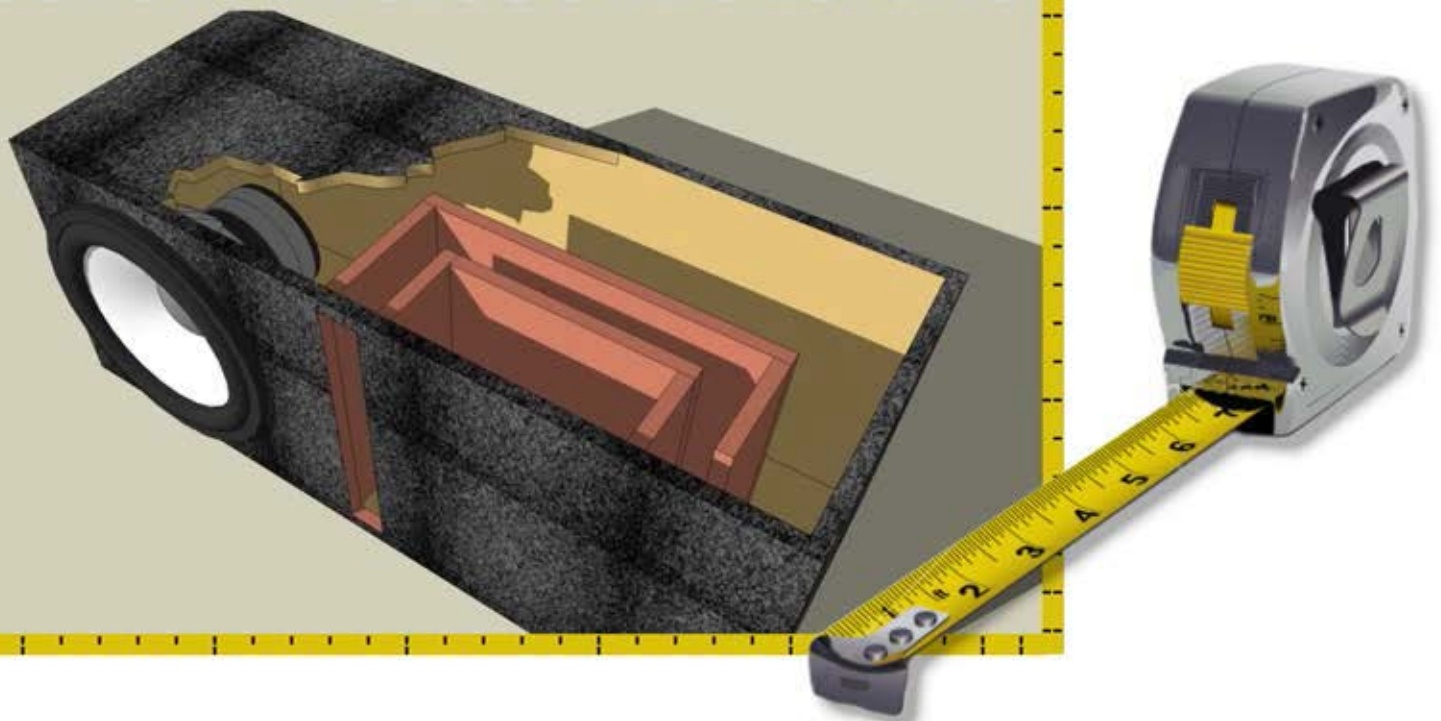
B: cu.ft. Internal - PORT:

C: cu.ft. Internal - PORT:

D: cu.ft. Internal - PORT:

E: cu.ft. Internal - PORT:

CUSTOM ENCLOSURE DESIGNS



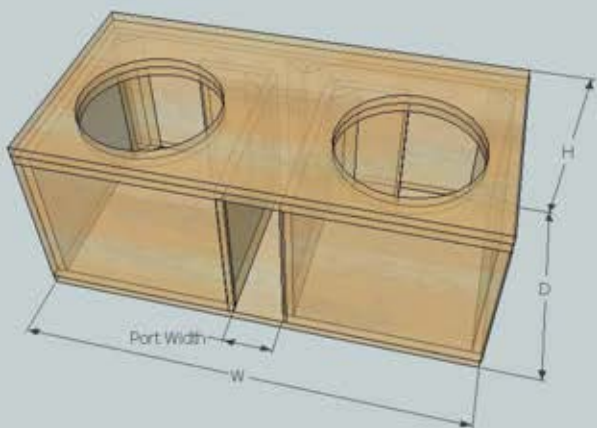
Let our engineers help create an exceptional experience for your customers.

FREE ENCLOSURE DESIGN SERVICES FOR ALL ADDICTIVE AUDIO SUBWOOFERS

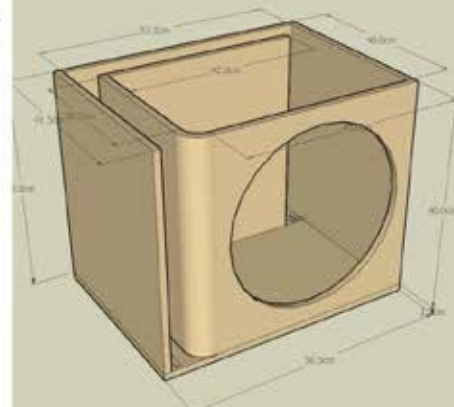
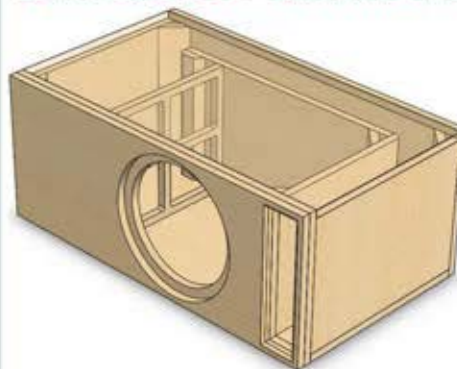
Simply email the following information to box@addictive-audio.com:

1. Maximum Dimensions (We will attempt to reduce the size if possible)
2. Year Make and Model of vehicle
3. Types of music that will be played
4. RMS power that will be put to the woofer(s)
5. Any additional information such as layout, specific tuning frequency, etc.

- ✓ FIT TO THE VEHICLES MEASUREMENTS
- ✓ TUNED TO THE CUSTOMERS LISTENING PREFERENCES
- ✓ DESIGNED SPECIFICALLY FOR THE ADDICTIVE AUDIO SUBWOOFER PURCHASED



24HR OR LESS TURN AROUND



Addictive Audio Subwoofer/Amplifier Pairing Chart

This chart is designed to assist you in pairing Addictive Audio woofers and amplifiers for best performance and reliability. "Enclosure Preference" is there to help steer you in the right direction. Please consult the woofer owners manual or email box@addictive-audio.com for custom enclosure assistance.

Woofer Model	1 Woofer	2 Woofers	3 Woofers	4 Woofers	5 Woofers	6 Woofers	Break-in period	Enclosure Preference
NFW69	F300.1 Fleck @ 4ohm B450.1 Boost @ 4ohm	F300.1 Fleck @ 2ohm B450.1 Boost @ 2ohm P7.4+35.1 @ 2ohm (on sub channel)	P60.1D Pure @ 1.33ohm	P60.1D Pure @ 1ohm	N/A	P120.1D Pure @ 1.33ohm	2 weeks	Small vented or bandpass.
Excruic8	F300.1 Fleck @ 2ohm B450.1 Boost @ 2ohm	P25.2 Pure @ 4ohm P60.1D Pure @ 1ohm P7.4+35.1 @ 2ohm	P120.1D Pure @ 1.33ohm P7.4+35.1 @ 2.66ohm	P200.1D Pure @ 1ohm	N/A	P250.1 Pure @ 1.33ohm	3 weeks	Sealed, vented or bandpass.
Shake	F300.1 Fleck @ 4ohm B450.1 Boost @ 4ohm	B450.1 Boost @ 2ohm P60.1D Pure @ 2ohm P7.4+35.1 @ 2ohm CAUTION	P60.1D Pure @ 1.33ohm	P60.1D Pure @ 1ohm	N/A	N/A	1 week	Sealed or vented. Very adaptable. Most premade enclosures will work fine.
Version 5	F300.1 Fleck @ 2ohm B450.1 Boost @ 4ohm	B450.1 Boost @ 2ohm P25.2 Pure @ 4ohm P60.1D Pure @ 2ohm P7.4+35.1 @ 4ohm	B450.1 Boost @ 2.33ohm P60.1D Pure @ 1.33ohm P7.4+35.1 @ 2.66ohm	P120.1D Pure @ 1ohm	N/A	P200.1 Pure @ 1.33ohm	2 weeks	Small sealed
Version 1	F300.1 Fleck @ 2ohm B450.1 Boost @ 4ohm	B450.1 Boost @ 2ohm P25.2 Pure @ 4ohm P60.1D Pure @ 1ohm P7.4+35.1 @ 2ohm	P60.1D Pure @ 1.33ohm P120.1D Pure @ 2.66ohm P7.4+35.1 @ 2.66ohm	P120.1D Pure @ 1ohm	N/A	P200.1 Pure @ 1.33ohm	2 weeks	Sealed or vented, premade OK. Vented best.
Version 2	P60.1D Pure @ 1ohm P7.4+35.1 @ 2ohm	P120.1D Pure @ 1ohm	P200.1 Pure @ 1.33ohm	P200.1 Pure @ 1ohm	N/A	P250.1 Pure @ 1.33ohm	3 weeks	Sealed, vented or bandpass; premade OK if well built.
Version 3	P120.1D Pure @ 1ohm	P200.1D Pure @ 1ohm	P250.1D Pure @ 1.33ohm	P250.1D Pure @ 1ohm (2) P200.1 Strapped @ 2ohm	N/A	N/A	4 weeks	Custom built sealed, vented or bandpass recommended.
Version 4	P120.1D Pure @ 1ohm P200.1D Pure @ 1ohm	P250.1D Pure @ 1ohm	(2) P200.1D Strapped @ 2ohm	(2) P250.1D Strapped @ 2ohm	N/A	N/A	4-6 weeks	Heavily reinforced custom sealed, vented or bandpass enclosure recommended. Vented or bandpass best.

ADDICTIVE AUDIO

LIMITED WARRANTY INFORMATION

Addictive Audio warrants this product to be free from defects in material and workmanship under normal use for a period of one (1) year from date of original purchase when installed by an authorized dealer. Items not installed by an authorized dealer will be warranted for ninety (90) days from date of original purchase. All returns must be accompanied with original sales receipt. Should service be necessary under this warranty for any reason due to manufacturing defect or malfunction during the warranty period, Addictive Audio will replace or repair (at its discretion) the defective merchandise with equivalent merchandise at no charge. Discontinued products may be replaced with equivalent products.

This warranty is valid only for the original purchaser and is not extended to owners of the product subsequent to the original purchaser. Any applicable implied warranties are limited in duration to a period of the express warranty as provided herein beginning with the date of original purchase at retail, and no warranties, whether express or implied, shall apply to this product thereafter. Some states do not allow limitations on implied warranties, therefore these exclusions may not apply to you.

THE FOLLOWING IS NOT COVERED BY WARRANTY

This warranty is valid only if the product is used for the purpose for which it was designed. It does not cover:

- Damage to cone, dustcap, or surround due to installation slips.
- Speakers with silicon caulk used for gasket material.
- Speakers damaged due to amplifier clipping or distortion.
- Damage caused by exposure to water and/or excessive heat.
- Damage through negligence, misuse, or accident.
- Items physically damaged due to abuse.
- Freight damage.
- The cost of shipping product to Addictive Audio Service Center.
- Items previously repaired by any unauthorized individuals or dealers.
- Items returned from unauthorized individuals or dealers.
- Items returned without original sales receipt
- Return shipping on non-defective items.

Copyright ©2008 Addictive Audio. All rights reserved.

WHAT TO DO IF YOU NEED WARRANTY OR SERVICE

Please follow each step below completely. Warranty or service will not be honored unless each and every step below is completed.

1. Obtain an Return Authorization Number

- Go to: www.addictive-audio.com and click "SUPPORT" then click "OBTAIN R.A.#"

2. Pack items in original container(s) or in a package that will prevent shipping damage.

- Original sales receipt from Authorized Dealer must be included for each item returned.

3. The RA# should be clearly marked on outside of the package. Return only defective components.

4. Freight must be prepaid; items received freight collect will be refused.

After completing all 4 steps above, please send package to the address notated in the RA# form that has been sent back to you.

Failure to complete any one of the steps above when obtaining warranty/service may void your warranty.